



HP-ET High Profile End Termination Kit

HP-ET, End Termination Kit for Pipes (For Use with BTT Families of Heating Cables)

HP-ET High Profile End Termination Kit Description

The HP-ET End Kit is designed and approved for use with the BTT family of heat trace cables. The HP-ET is NEMA 4X and is suitable for use in non-hazardous locations.

The kit provides excellent corrosion resistance to UV radiation, as well as most corrosives and inorganic chemicals.

The HP-ET Kit includes an ETK, (End Termination Kit) that allows accessing the heat trace without removing the thermal insulation.

Features and Benefits:

- NEMA 4X Construction,
- Kit can be mounted in any orientation on your pipe run
- High Profile allows access to End Termination without removing thermal insulation.
- V-Notched Base allows for installation of kit on pipe diameters down to 1/2" without the need for a small pipe adapter.
- Core Sealing Boot and End Termination eliminates need for heat gun or torch.
- Rugged Base protects the heating cables transition from pipe to junction box and allows up to 4" of thermal insulation.



Kit Contents:

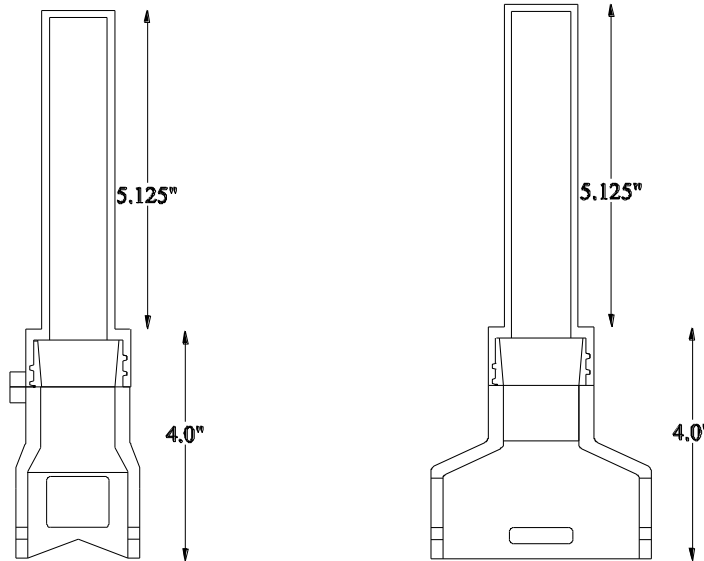
HP-ET

- 1 Base
- 1 Splice Cap
- 1 Bottom Gasket
- 1 Three Hole Grommet
- 1 TFE Compression Ring
- 1 ETK Cap
- 1 Hose Clamp
- 1 Caution Label
- 1 UV Tie Wrap
- 1 RTV Sealant



HP-ET High Profile End Termination Kit

Dimensions:



Specifications:

Heating Cable	BTT-P, BTT-T
Ingress Protection	NEMA 4X
Entries	N/A
Minimum Installation Temperature	-40 deg F
Maximum Pipe Temperature	420 deg F
Maximum Conductor Size	N/A
Maximum Operating Voltage	277 Vac
Maximum Current Rating	40 Amp Heat Trace Circuit

Materials of Construction:

Base, Tee Cap	Ryton
End Cap	Silicone
Grommet	Silicone
Compression Bearing	Teflon
Gaskets	Silicone
Hose Clamp	Stainless Steel

Ordering Information:

High Profile End Termination Kit	HP-ET
----------------------------------	-------

Approvals:

UL, Pipe Heat Trace, Non-Hazardous Location